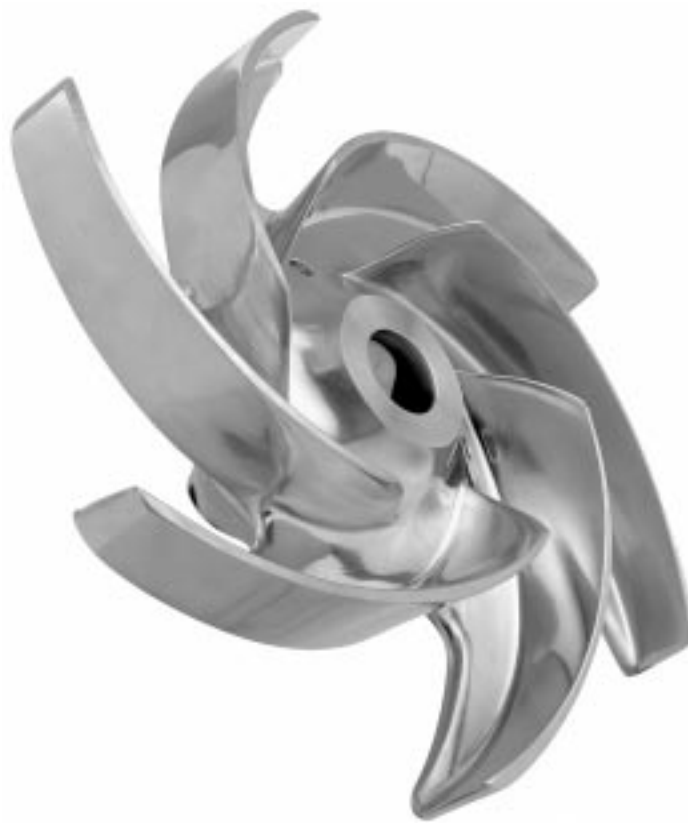


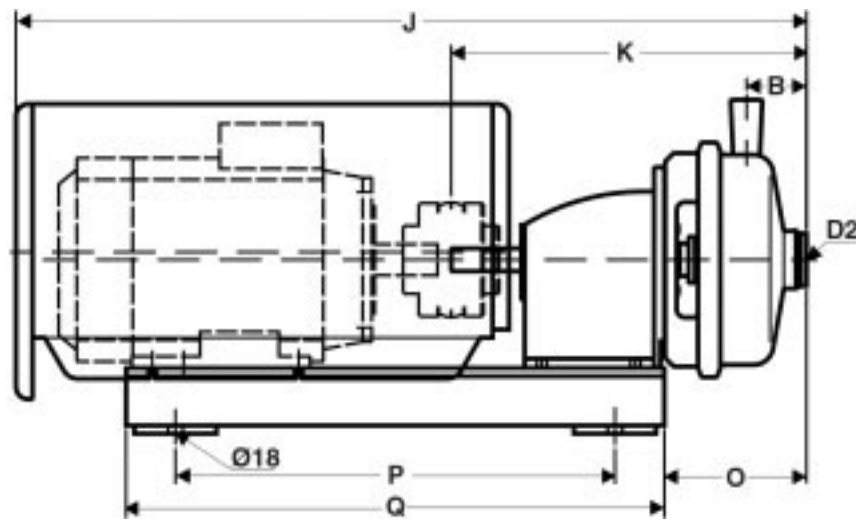
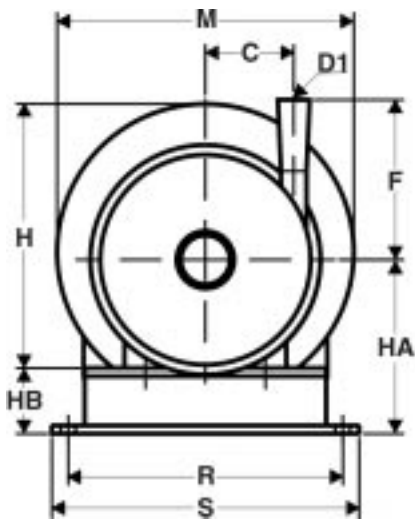


Spare parts list for centrifugal pump type: **WK+**



## **APV Fluid Handling Horsens**

Ternevej 61-63  
8700 Horsens  
Denmark  
Tel.: +45 75 64 37 77  
Telefax: +45 75 64 38 68



381419 Iss S 02.99

## 8.2 Pumpens mål - Pump dimensions

**WK+**

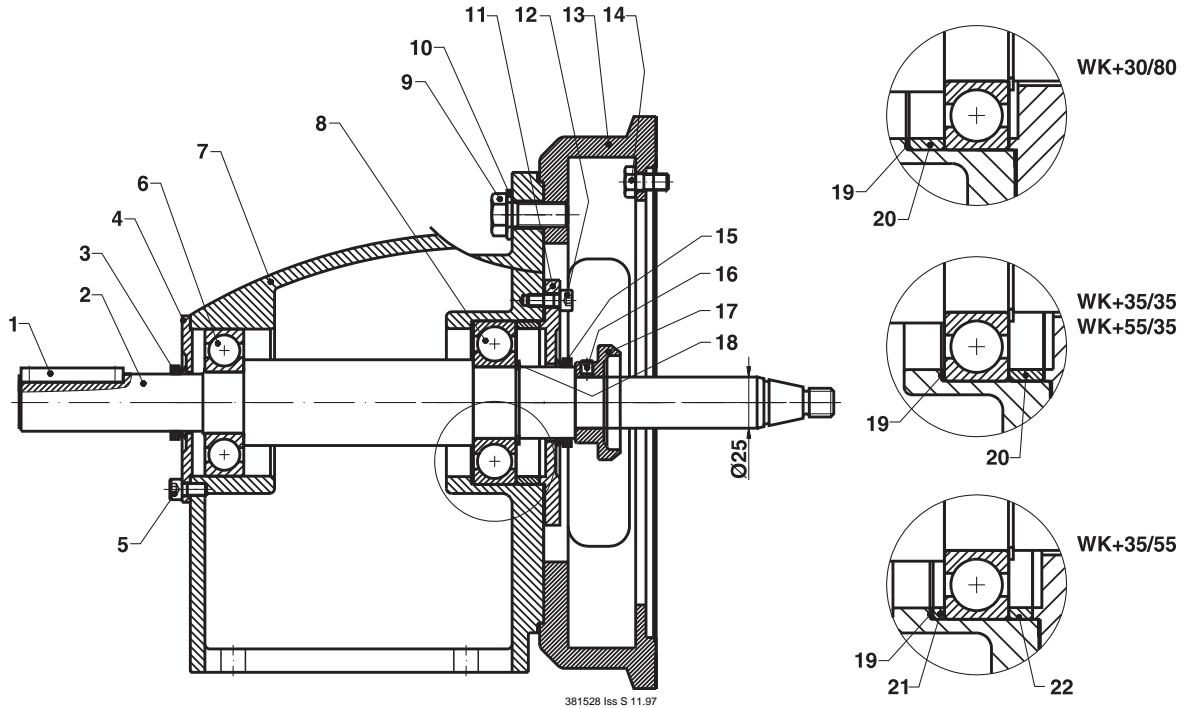
Pumpe	Motor	B	C	D1	D2	F	H	HA	HB	J	K	M	O	P	Q	R	S
<b>Pumper med 25mm aksel - Pumps with 25mm shaft</b>																	
<b>WK+30/80</b>	90-132 160	80	70	ø76	ø101.6	215	327 420	-	80	1005 1185	450	365 455	203	504 640	644 780	334 355	374 395
<b>WK+35/35</b>	90-132 160	45	83	ø51	ø63.5	230	327 420	-	80	946 1126	402	365 455	144	504 640	644 780	334 355	374 395
<b>WK+35/55</b>	90-132 160	53	80	ø63.5	ø76	210	327 420	-	80	968 1148	421	365 455	167	504 640	644 780	334 355	374 395
<b>WK+55/35</b>	90-132 160	73	108	ø38	ø63.5	195	327 420	280	120	976 1156	432	365 455	173	504 640	644 780	334 355	374 395
<b>Pumper med 35mm aksel - Pumps with 35mm shaft</b>																	
<b>WK+30/120</b>	90-132 160 180	88	95	ø76	ø101.6	250	327 420 460	230 280 300	80 120 120	1039 1270 1290	504	365 455 485	214 209 209	552 690 790	692 810 910	334 355 420	374 395 460
<b>WK+55/60</b>	90-132 160 180 200	77	100	ø51	ø76	220	327 420 460 520	230 280 300 320	80 120 120 120	1027 1258 1278 1334	492	365 455 485 530	190 185 185 185	552 690 790 910	692 810 910 910	334 355 420 420	374 395 460 460
<b>WK+60/110</b>	90-132 160 180 200 225	68	106	ø76	ø101.6	290	327 420 460 520 555	230 280 300 320 345	80 120 120 120 120	1021 1252 1272 1328 1412	486	365 455 485 530 585	184 179 179 179 179	552 690 790 910 920	692 810 910 910 920	334 355 420 420 490	374 395 460 460 530
<b>WK+65/350</b>	90-132 160 180 200 225	95	112	NW100	NW150	270	327 420 460 520 555	230 280 300 320 345	80 120 120 120 120	1031 1262 1282 1338 1422	496	365 455 485 530 585	194 189 189 189 189	552 690 790 910 920	692 810 910 910 920	334 355 420 420 490	374 395 460 460 530
<b>WK+70/40</b>	90-132 160 180 200	55	129	ø38	ø63.5	225	327 420 460 520	230 280 300 320	80 120 120 120	1024 1255 1275 1331	489	365 455 485 530	187 182 182 182	552 690 790 910	692 810 910 910	334 355 420 420	374 395 460 460
<b>WK+80/80</b>	90-132 160 180 200 225	70	144	ø51	ø76	256	327 420 460 520 555	230 280 300 320 345	80 120 120 120 120	1034 1265 1285 1341 1425	499	365 455 485 530 585	203 198 198 198 198	552 690 790 910 920	692 810 910 910 920	334 355 420 420 490	374 395 460 460 530
<b>WK+110/130</b>	90-132 160 180 200 225	82	157	ø76	ø101.6	230	327 420 460 520 555	230 280 300 320 345	80 120 120 120 120	1038 1269 1289 1345 1429	503	365 455 485 530 585	201 196 196 196 196	552 690 790 910 920	692 810 910 910 920	334 355 420 420 490	374 395 460 460 530

381419 Iss S 01.99

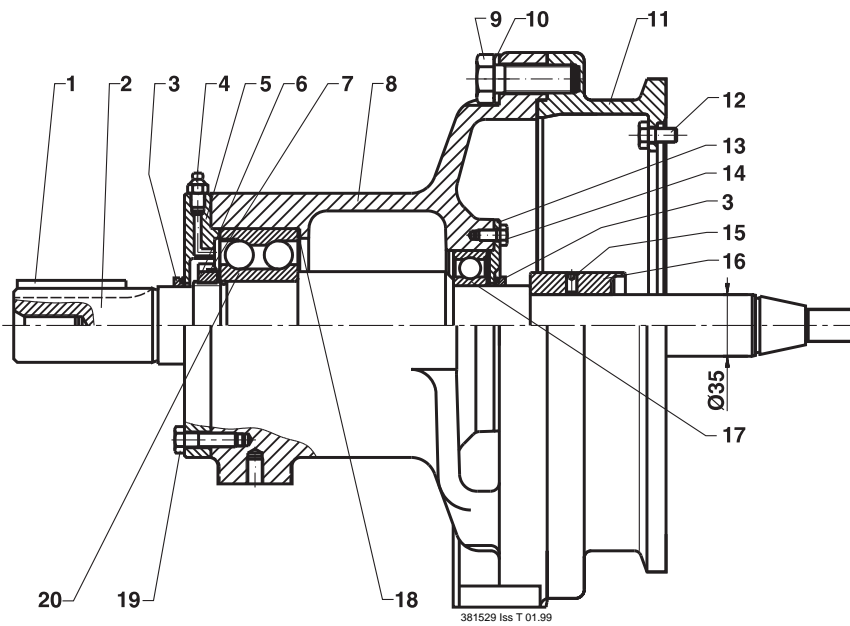
## 8.2 Lejekonsol - Bearing bracket

WK+

Pumper med Ø25 mm aksel  
Pumps with Ø25 mm shaft



Pumper med Ø35 mm aksel  
Pumps with Ø35 mm shaft



## 8.2 Lejekonsol - Bearing bracket

**WK+**

 Pumper med Ø25 mm aksel  
 Pumps with Ø25 mm shaft

Pos	Stk/Qty	Benævnelse	Description	Pumpe type - Pump type			
				WK+30/80	WK+35/35	WK+35/55	WK+55/35
				Del nr. - Part No.			
1	1	Feder	Key	773006	773006	773006	773006
2	1	Aksel	Shaft	261234	261234	261234	261234
3	1	V-ring	Sealing	773001	773001	773001	773001
4	1	Lejedæksel	End cover	274222	274222	274222	274222
5	4	Skrue	Screw	770496	770496	770496	770496
6	1	Kugleleje 6306-2Z	Ball bearing 6306-2Z	773003	773003	773003	773003
7	1	Leje hus	Bearing housing	253486	253486	253486	253486
8	1	Kugleleje 6307-2Z	Ball bearing 6307-2Z	773004	773004	773004	773004
9	4	Skrue	Screw	700238	700238	700238	700238
10	4	Skive	Washer	701475	701475	701475	701475
11	1	Lejedæksel	End cover	274212	274212	274212	274212
12	4	Skrue	Screw	701631	701631	701631	701631
13*	1	Mellemflange	Extension frame	267130	267130	267130	267131
	2	Afdækning R/L	Safety guard R/L	804449	804449	804449	804448
	2	Skrue	Screw	700420	7700420	700420	700420
14	2	Skrue	Screw	700690	700690	700690	700690
15	1	V-ring	Sealing	773002	773002	773002	773002
16	1	Skrue	Screw	771903	771903	771903	771903
17	1	Ring for vandskyl	Ring for water flush	274216	274216	274216	274216
18	1	Låsering	Locking ring	773005	773005	773005	773005
19	1	Passkive DIN 988	Adjusting washer DIN 988	Ø80/63	Ø80/63	Ø 80/63	Ø 80/63
20	1	Støtteskive 11,5 mm	Support washer 11,5 mm	274206	274206	---	274206
21	1	Støtteskive 3,7 mm	Support washer 3,7 mm	---	---	274236	---
22	1	Støtteskive 7,7 mm	Support washer 7,7 mm	---	---	274235	---

\* Til mellemflange hører afdækning - Belonging to extension frame is safety guard R= Højre/Right L= Venstre/Left 381528 Iss T 07.98

 Pumper med Ø35 mm aksel  
 Pumps with Ø35 mm shaft

Pos	Stk/Qty	Benævnelse	Description	Pumpe type - Pump type						
				WK+30/120	WK+55/60	WK+60/110	WK+65/350	WK+70/40	WK+80/80	WK+110/130
				Del nr. - Part No.						
1	1	Feder	Key	771272	771272	771272	771272	771272	771272	771272
2	1	Aksel	Shaft	188170	188170	188170	188170	188170	188170	188170
3	2	V-ring	Sealing	771890	771890	771890	771890	771890	771890	771890
4	1	Smørenippel	Grease nipple	771904	771904	771904	771904	771904	771904	771904
5	1	Lejedæksel	End cover	260538	260538	260538	260538	260538	260538	260538
6	1	Aksel møtrik	Shaft nut	771887	771887	771887	771887	771887	771887	771887
7	1	Låseblik	Locking plate	771888	771888	771888	771888	771888	771888	771888
8*	1	Leje hus	Bearing housing	253439	253439	253439	253439	253439	253439	253439
	1	Afdækning R	Safety guard R	278215	278215	278215	278215	278215	278215	278215
	1	Afdækning L	Safety guard L	278214	278214	278214	278214	278214	278214	278214
9	6	Skrue	Screw	701533	701533	701533	701533	701533	701533	701533
10	6	Skive	Washer	770779	770779	770779	770779	770779	770779	770779
11	1	Mellemflange	Extension frame	277262	267325	267326	253722	253493	253494	253721
12	2	Skrue	Screw	700690	700690	700690	700690	700690	700690	700690
13	1	Lejedæksel	End cover	260539	260539	260539	260539	260539	260539	260539
14	3	Skrue	Screw	770470	770470	770470	770470	770470	770470	770470
15	1	Skrue	Screw	771903	771903	771903	771903	771903	771903	771903
16	1	Ring for vandskyl	Ring for water flush	274358	274358	274358	274358	274358	274358	274358
17	1	Kugleleje 6209-2Z	Ball bearing 6209-2Z	771886	771886	771886	771886	771886	771886	771886
18	1	Passkive DIN 988	Adjusting washer DIN 988	Ø110/90	Ø110/90	Ø110/90	Ø110/90	Ø110/90	Ø110/90	Ø110/90
19	4	Skrue	Screw	771892	771892	771892	771892	771892	771892	771892
20	1	Kugleleje 3310	Ball bearing 3310	771889	771889	771889	771889	771889	771889	771889

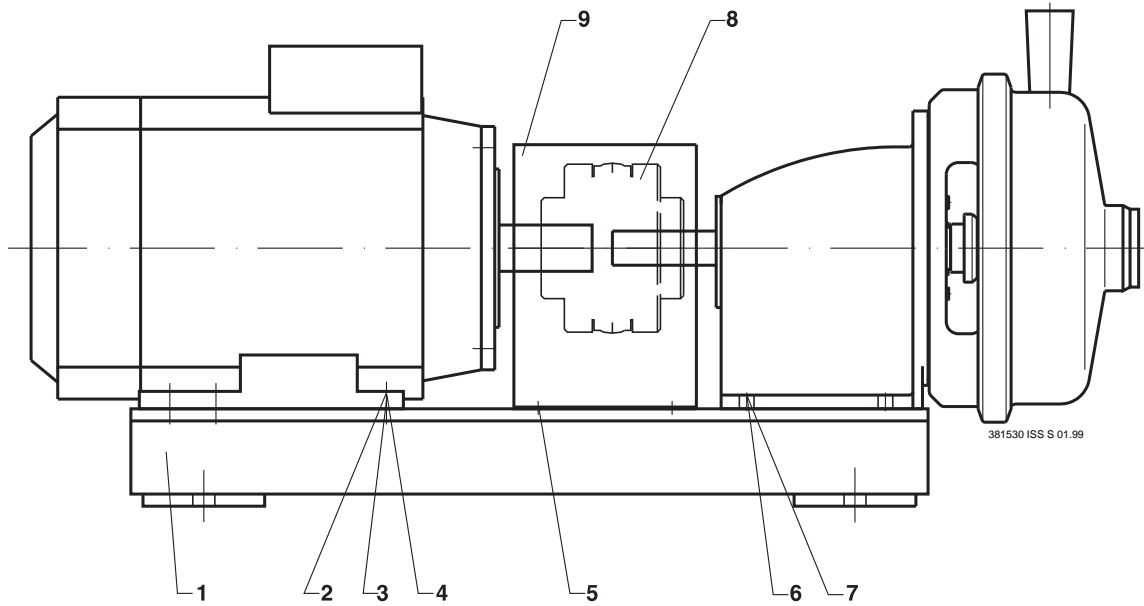
\* Til mellemflange hører afdækning - Belonging to extension frame is safety guard R= Højre/Right L= Venstre/Left

381529 Iss T 01.99

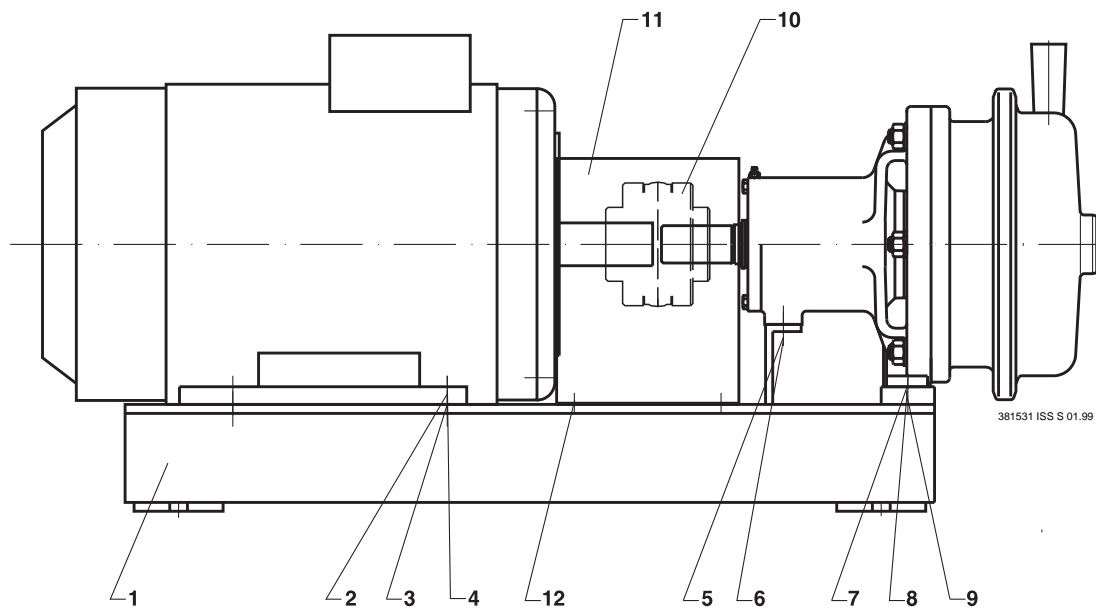
## 8.2 Bundramme - Base plate

WK+

Pumper med Ø25 mm aksel  
Pumps with Ø25 mm shaft



Pumper med Ø35 mm aksel  
Pumps with Ø35 mm shaft



## 8.2 Bundramme - Base plate

WK+

Pumper med Ø25 mm aksel  
Pumps with Ø25 mm shaft

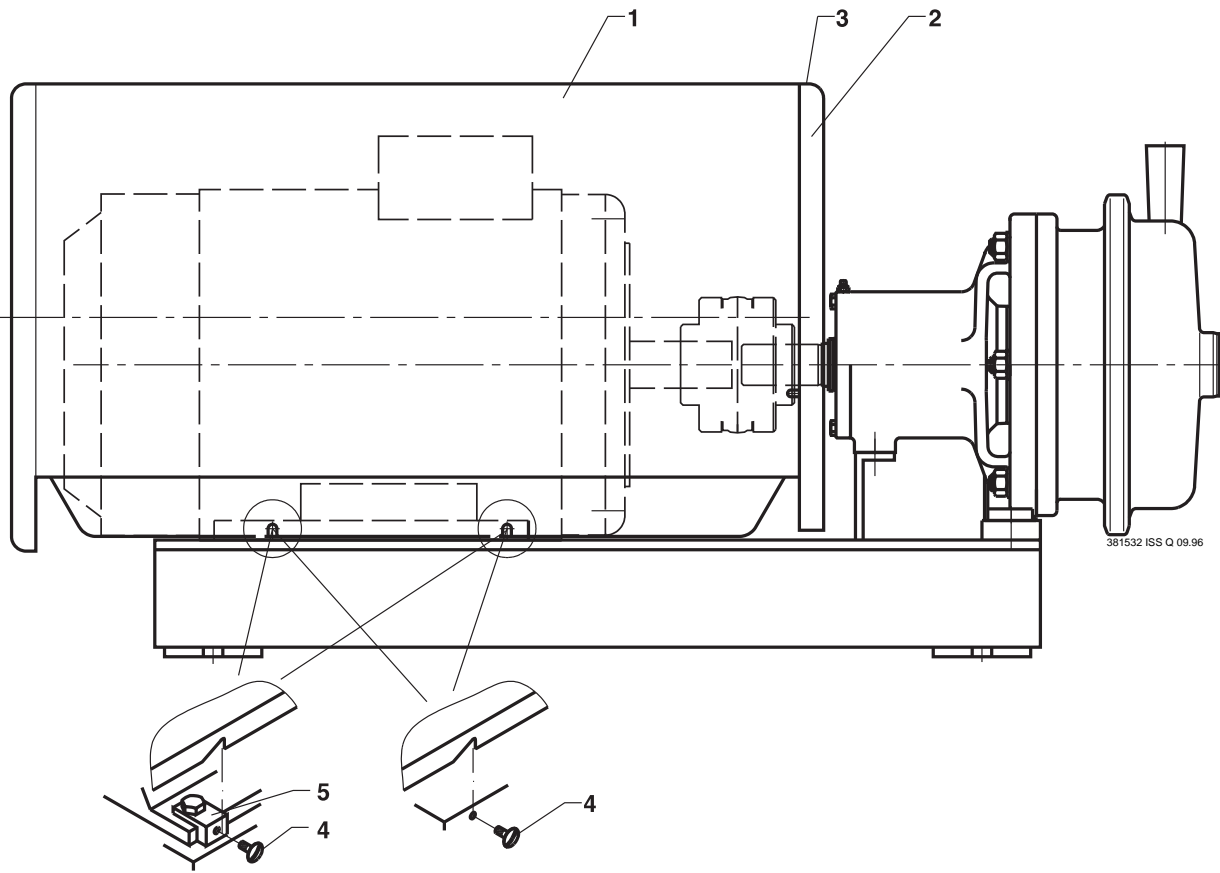
Pos	Stk/Qty	Benævnelse	Description	Motor				
				90	100	112	132	160
				Del nr. - Part No.				
1	1	Bundramme komplet	Base plate complete	188658	188659	188660	168638	168639
2	4	Skrue	Screw	274321	274330	274322	756001	702996
3	4	Skive	Washer	701478	701479	701479	701479	701475
4	4	Møtrik	Nut	700241	700864	700864	-----	-----
5	4	Skrue	Screw	700420	700420	700420	700420	700420
6	4	Skrue	Screw	701376	701376	701376	701376	701376
7	4	Skive	Washer	701479	701479	701479	701479	701479
8	1	Kobling	Coupling	773008	773009	773009	773010	773011
9	1	Afdækning	Shaft guard	182742	182742	182742	182742	182742

381530 ISS S 01.99

Pumper med Ø35 mm aksel  
Pumps with Ø35 mm shaft

Pos	Stk/Qty	Benævnelse	Description	Motor							
				90	100	112	132	160	180	200	225
				Del nr. - Part No.							
1	1	Bundramme	Base plate	188758	188759	188760	168649	168596	168621	187794	168622
2	4	Skrue	Screw	274321	274330	274322	756001	702996	702996	701044	701533
3	4	Skive	Washer	701478	701479	701479	701479	701475	701475	701254	701254
4	4	Møtrik	Nut	700241	700864	700864	-----	-----	-----	-----	-----
5	2	Skrue	Screw	701376	701376	701376	701376	701376	701376	701231	701376
6	2	Skive	Washer	701479	701479	701479	701479	701479	701479	701479	701479
7	2	Skrue	Screw	702996	702996	702996	702996	702996	705034	771699	702996
8	2	Skive	Washer	701475	701475	701475	701475	701475	701475	701475	701475
9	2	Møtrik	Nut	-----	-----	-----	-----	-----	700242	700242	700242
10	1	Kobling	Coupling	773084	773085	773085	773086	771982	771983	771984	771984
11	1	Afdækning	Shaft guard	182742	182742	182742	182742	182742	260652	260653	260666
12	4	Skrue	Screw	700420	700420	700420	700420	700420	700420	700420	700420

381531 ISS S 01.99



## 8.2 Motorkappe - Motor shroud

WK+

Pumper med Ø25 mm aksel  
Pumps with Ø25 mm shaft

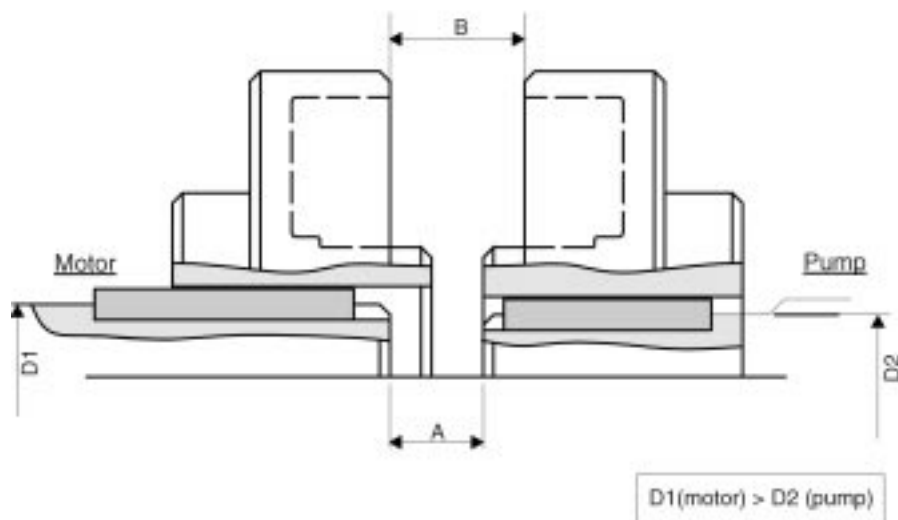
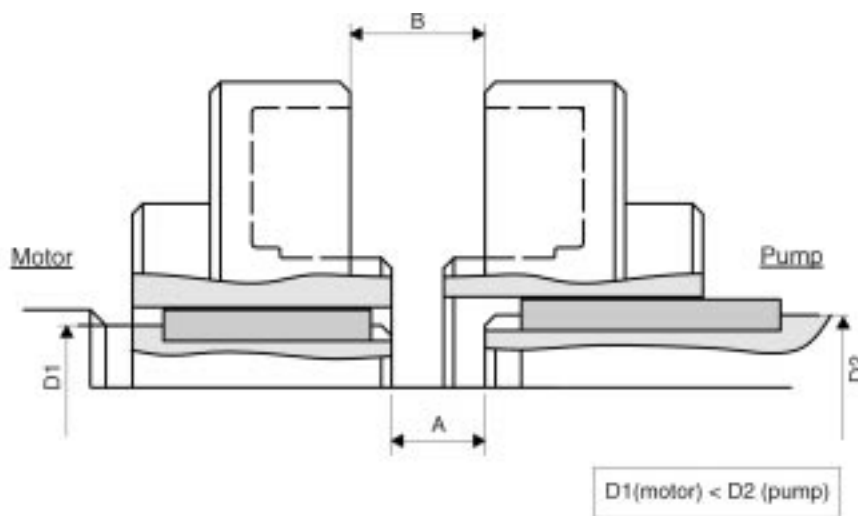
Pos	Stk/Qty	Benævnelse	Description	Motor				
				90	100	112	132	160
				Del nr. - Part No.				
1	1	Motorkappe	Motor shroud	188669	188669	188669	188669	188670
2	1	Dæksel	Collar	188665	188665	188665	188665	188666
3	3	Skruer	Screw	700420	700420	700420	700420	-----
3	4	Skruer	Screw	-----	-----	-----	-----	700420
4	4	Skruer	Screw	773012	773012	773012	773012	773012

381532 ISS Q 09.96

Pumper med Ø35 mm aksel  
Pumps with Ø35 mm shaft

Pos	Stk/Qty	Benævnelse	Description	Motor							
				90	100	112	132	160	180	200	225
				Del nr. - Part No.							
1	1	Motorkappe	Motor shroud	188669	188669	188669	188669	187770	187771	187772	187807
2	1	Dæksel	Collar	188665	188665	188665	188665	188146	188147	188148	188158
3	3	Skruer	Screw	700420	700420	700420	700420	-----	-----	-----	-----
3	4	Skruer	Screw	-----	-----	-----	-----	700420	700420	700420	700420
4	4	Skruer	Screw	773012	773012	773012	773012	700236	700236	700236	700236
5	4	Beslag	Fittings	-----	-----	-----	-----	267909	267909	260389	267964

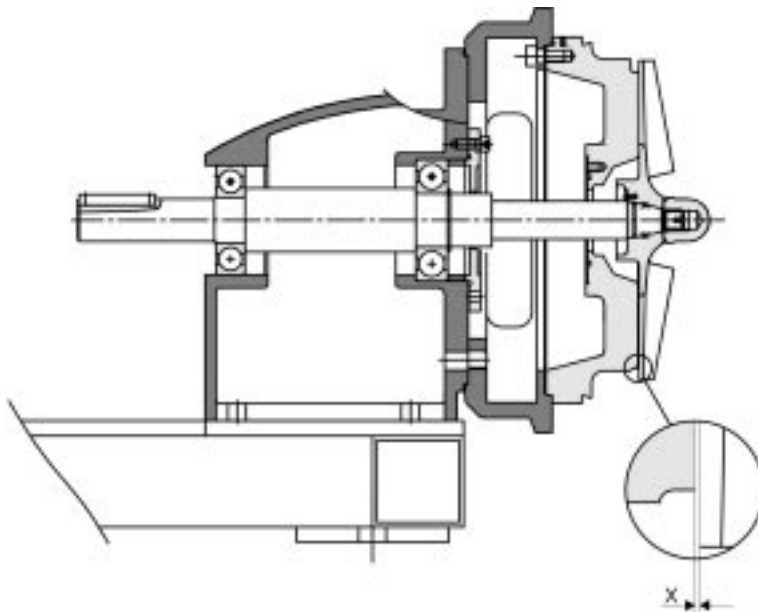
381532 ISS Q 09.96



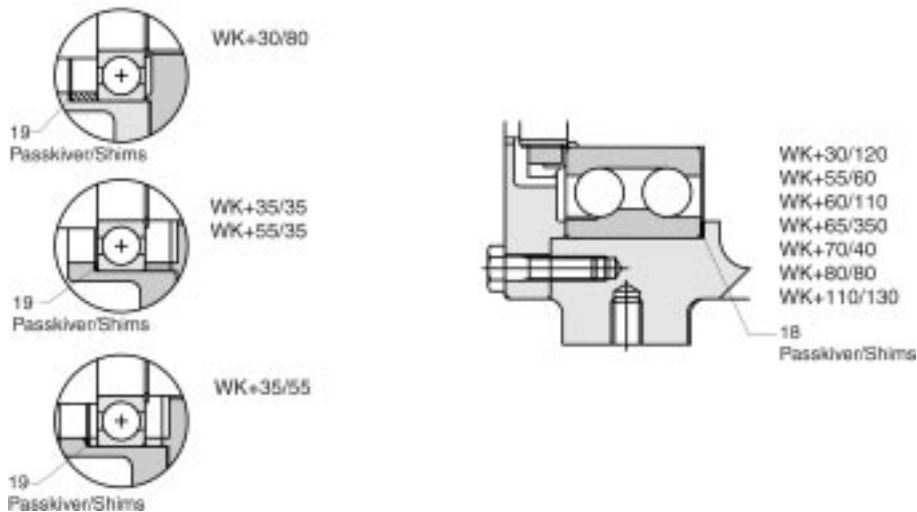
	Pumpe/Pump	A (Nom.)	Motor	B
Ø25 Aksel/Shaft	30/80	18	90	22 ± 1.5
	35/35	6.5	100/112	26 ± 1.5
	35/55	10	132	30 ± 2
	55/35	7	160	33 ± 2

	Pumpe/Pump	A (Nom.)	Motor	B
Ø35 Aksel/Shaft	30/120	10.5	90-132	30 ± 2
	55/60	10.5	160-180	33 ± 2
	60/110	10.5	200-225	40 ± 2
	65/350	10.5	--	--
	70/40	10.5	--	--
	80/80	10.5	--	--
	110/130	10.5	--	--

381817 Iss Q 01.99



Pumpe/pump	Mål/Dimension x± (0.1)
WK+30/80	3.9
WK+35/35	2.8
WK+35/55	3.4
WK+55/35	0.7
W+30/120	0.6
W+55/60	0.5
W+60/110	1.0
W+65/350	1.4
W+70/40	1.1
W+80/80	1.1
W+110/130	1.3



Prøvemontering / Trial assembly

Passkiver (0.1, 0.2, 0.3 mm tykkelse) bruges bagved vinkelkontaktlejet, for at opnå den korrekte afstand x mellem løbehjul og bagflangen.

Shims (0.1, 0.2, 0.3 mm thick) used behind the thrust-bearing to give the correct clearance x between impeller and backplate.



## **APV Fluid Handling Horsens**

Ternevej 61-63  
DK-8700 Horsens  
Denmark  
Tel.: +45 75 64 37 77  
Fax: +45 75 64 38 68



**A Siebe Group Product**