

The Smallest Pump Choice

GM and GM-A Centrifugal Pump

Application

The GM centrifugal pump is specially designed for food, chemical, pharmaceutical and other industries where acid resistant steel is resistant to the products to be pumped.

Standard design

GM:

Pump casing and shaft of acid-resistant steel 1.4404 (316L). Impeller of glass fibre reinforced nylon (max. 80°C). Studbolts and nuts for pump casing of stainless steel 1.4301 (304). Adaptor and collets of plastic.

GM-A:

As GM, but impeller of acid resistant steel 1.4404 (316L), nuts and yoke of stainless steel 1.4301 (304) and adaptor of cast iron. Seals are made of Nitrile (NBR).

Shaft seal

Mechanical single seal with stationary seal ring of acid-resistant steel AISI 329 with sealing surface of silicon carbide, and with rotating seal ring of carbon.

Technical data

Max. inlet pressure: 400 kPa (4 bar).
 Temperature range: GM: -10°C to +80°C.
 GM-A: -10°C to +140°C
 (EPDM).
 Impeller diameter: 115 mm.
 Weight: GM: 11 kg.
 GM-A: 13 kg.

Motor

Standard foot-flanged motor acc. to IEC metric standard, 2 pol = 3000/3600 rpm. at 50/60 Hz, IP55 (with drain holes with labyrinth plug), insulation class F.

Voltage and frequency

3 ~, 50 Hz, 220-240V Δ/380-420VY
 3 ~, 60 Hz, 250-280V Δ/440-480VY

Motor size

50 Hz: 0.55 kW.



Fig. 1. GM-A without shroud and legs.

GM and GM-A

Volumetric flow

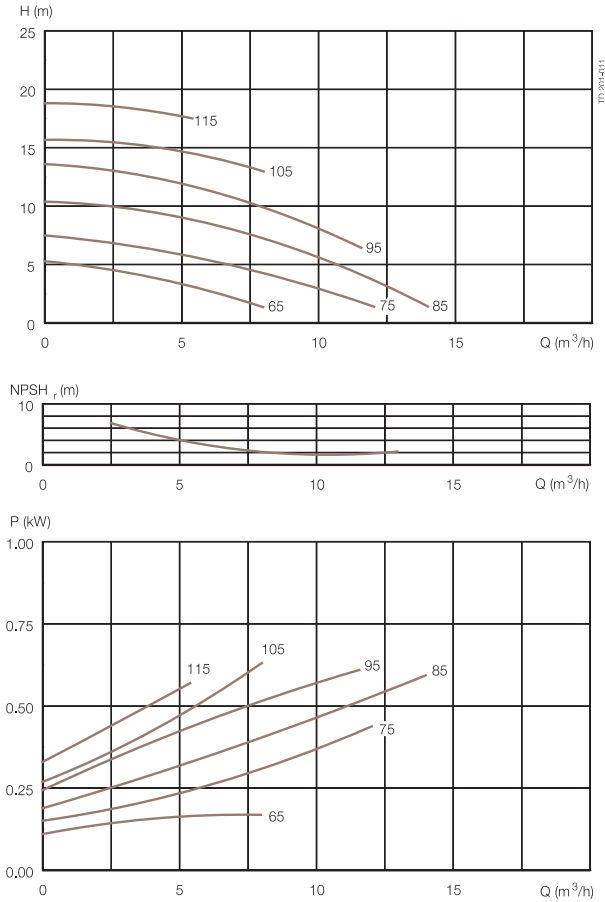


Fig. 2. Flow chart.

Connections (mm)

Inlet and outlet: 38 mm (1 1/2").

DI 33 DII 25	ISO Clamp	ISO Male	DIN Male	SMS Male	BS Male
M I	12	23	22	23	19
M II	12	21	22	20	19

Options

- A. Impeller with reduced diameter.
- B. Fitted on stainless steel legs (3 legs).
- C. Shroud and adjustable legs (4 legs).
- D. Other voltage, frequency or flameproof motor.
- E. Inlet and outlet with flanges.
- F. Counter flanges, collars and seal rings for flanged connections.
- G. Product wetted seals of EPDM, Fluorinated rubber (FPM) or PTFE.
- H. Rotating seal ring of Silicon Carbide.

Ordering

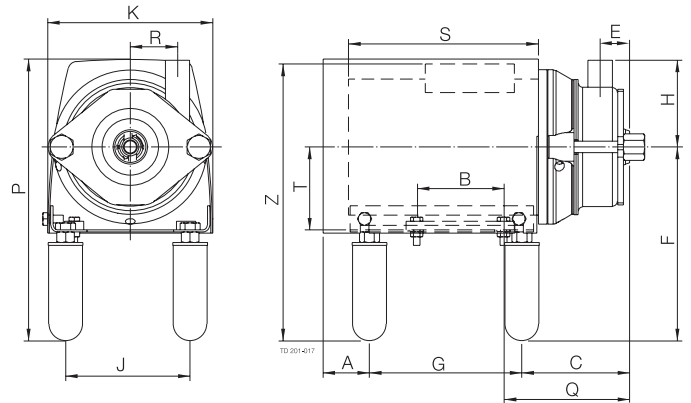
Please state the following when ordering:

- Pump type.
- Connections.
- Voltage and frequency.
- Flow rate, pressure and temperature.
- Density and viscosity of product.
- Options.

Note!

For further details see also PD 65036 and instruction IM 70023.

Dimensions (mm)



a. GM-A, without shroud and legs

Size	motor	0.55 kW
A		46
B		90
C		103
E		31
F	min.	185
F	max.	215
G		158
H		90
J		134
K		171
P	min.	294
P	max.	324
Q		128
R		49
S		209
Weight (kg) GM		11
Weight (kg) GM-A		13